



# AINA PTT Voice Responder

## Remote Push-to-Talk Control

### Built for Critical Communications

- Model: APTT1
- Real-Time PTT: short latency
- IP 67: dust tight and water resistant
- Rugged: 2m drop test
- Lightweight: 125g
- Passed environmental MIL STD 810G tests: Test Method 500.5 Low Pressure (Altitude), Test Method 501.5 High Temperature, Test Method 502.5 Low Temperature, Test Method 503.5 Temperature Shock, Test Method 504.1 Contamination by Fluids, Test Method 507.5 Humidity, Test Method 509.5 Salt Fog, Test Method 514.6 Vibration, Test Method 516.6 Shock
- Regulatory tests passed:
  - USA: FCC (ID: 2AH78-APTT1)
  - Canada: IC (ID: 21419-APTT1)
  - Europe: CE (EMC and RF measurements: EN 301 489-1 (1.9.2), EN 301 489-17 (2.2.1), EN 300 328 (1.9.1))



### Buttons

- ON/ OFF
- Emergency
- 2 x Push-to-Talk
- 2 x Soft/ programmable
- Multifunction (answer/ end/ mute calls)
- Volume control

### Audio

- Sound pressure level: 105dB at 10cm
- 4-pole 3.5mm standard audio headset jack
- Wideband audio
- Audio DSP software:
  - Noise suppression
  - Echo cancellation
  - Wind and static noise reduction

### Battery

- Battery life: est. 24 hours
- Micro-USB for charging
- Charging contacts for docking station

### Bluetooth

- 250m line of sight range / 10-25m with obstruction
- Unique friendly name on the back cover for simple pairing
- Single pairing feature for increased security and to avoid confusion

### Additional Features

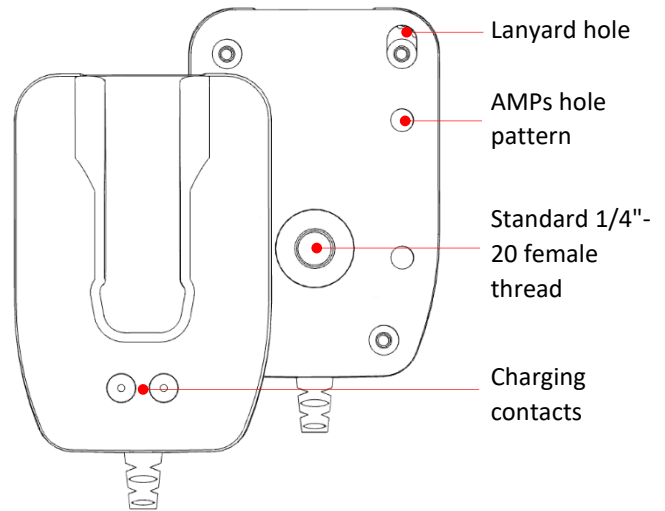
- Covert mode: suppress audio and LED; microphone and headset use only.
- LED disabled mode: turn off flashing blue LED
- Use for regular phone calls (answer and end calls with multifunction button)
- Use for conference calls and listening to music (only available with the iPhone and some Android phones)

# AINA Vehicle Cradle

Designed for the AINA PTT Voice Responder

## Design

- Model: AVC1
- External dimensions: 55x80x30mm
- Weight: 90g
- Charging cable end: USB-A male
- Charging cable length: 936mm
- Charging current: Min. 700mA / Max allowed. 2.8A / Voltage: 5V
- Operating temperature: -30 - 60°C



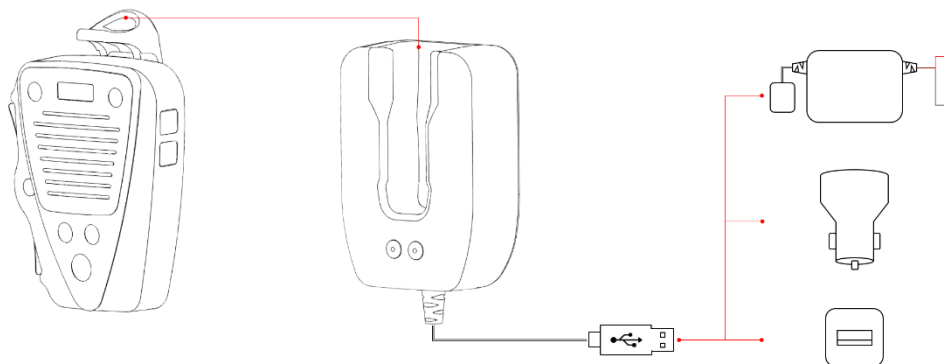
## Compatible Mounts and Plates

- Any camera mount or plate with standard 1/4"-20 male stud: 6mm threads
- Any mount or plate with standard AMPs hole pattern: 30x38mm (M4 fastener)

Compatible with all major mount manufacturers, such as Arkon Mounts ([www.arkon.com](http://www.arkon.com)), RAM Mount ([www.rammount.com](http://www.rammount.com)) and GPS lockbox ([www.gpslockbox.com](http://www.gpslockbox.com))

## Charging Instructions

1. Slide the PTT Voice Responder clip into the Vehicle Cradle
2. Connect the charging cable's USB-A male end into: a vehicle power adapter, a car charger or a USB-A female socket



## Lanyard (Optional)

- You can install a lanyard/cable to the cradle's lanyard hole, which then connects to the device's clip loophole with a hook/carabiner. This offers additional security and easier removal and insertion of the PTT Voice Responder into the Vehicle Cradle.
- Lanyard hole dimensions: max 3.5mm

